

Kinetic linear modular recessed wall-wash decorative LED lamp

Patent Pending

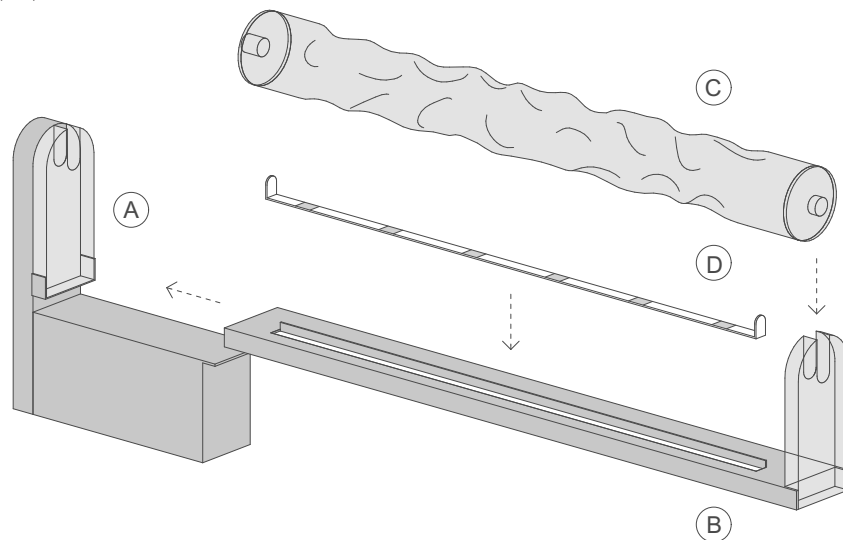


The light emitted by the lamp, refracts through a deformed glass cylinder rotating on its axis by means of a motor, projecting upward fluctuating flares of light in continuous movement. The final effect is that of the sunlight reflected on the surface of moving water creating dancing optical games on the surfaces they touch. To create the desired effect, it is necessary to insert the lamp inside a luminous groove grazing the wall or behind a piece of furniture, leaving only the moving light visible.

TECHNICAL DATA

The lamp consists of:

- A. Motor block unit
- B. Base support module with light source
- C. Cylindrical glass with irregular surface
- D. Colored filter accessory (optional)



MATERIALS

- Anodized aluminum sheet
- Folded galvanized metal sheet
- Deformed glass cylinder
- Acrylic

LED LIGHT SOURCE

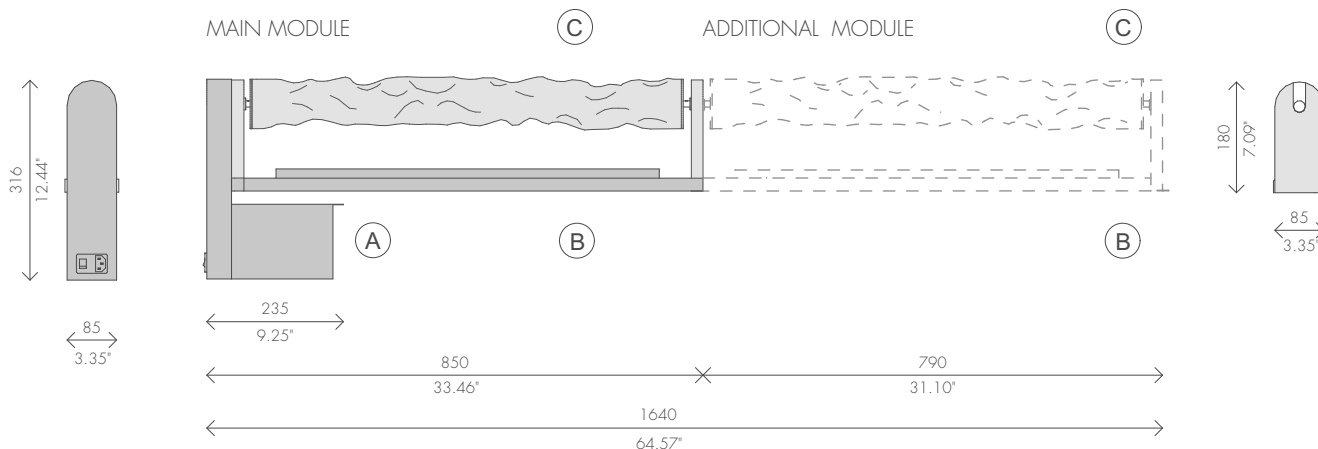
K	W	lm	CRI
2700	55,0	3875	90
3000	55,0	4320	90
4000	55,0	4500	90

POWER SUPPLY

- 220 -230 Vac, 50 Hz
- 115 Vac, 60 Hz

CONFIGURATIONS

BE WATER Lamp can be purchased from a minimum of one to a maximum of five modules for motor, depending on the desired length.



1 Module

85 x 316 x 850 mm
3.35" x 12.44" x 33.46"

WW1	K	W	lm
	2700	9,6	775
	3000	9,6	864
	4000	9,6	900

2 Modules

85 x 316 x 1640 mm
3.35" x 12.44" x 64.57"

WW2	K	W	lm
	2700	26,2	1550
	3000	26,2	1728
	4000	26,2	1800

3 Modules

85 x 316 x 2430 mm
3.35" x 12.44" x 95.67"

WW3	K	W	lm
	2700	35,8	2325
	3000	35,8	2592
	4000	35,8	2700

4 Modules

85 x 316 x 3220 mm
3.35" x 12.44" x 126.77"

WW4	K	W	lm
	2700	45,4	3600
	3000	45,4	3456
	4000	45,4	3600

5 Modules

85 x 316 x 4010 mm
3.35" x 12.44" x 157.87"

WW5	K	W	lm
	2700	55,0	3875
	3000	55,0	4320
	4000	55,0	4500

